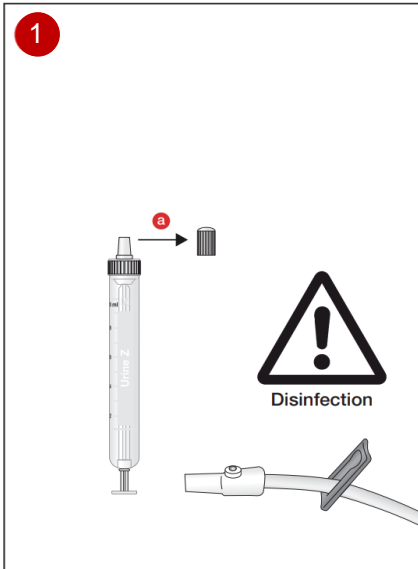


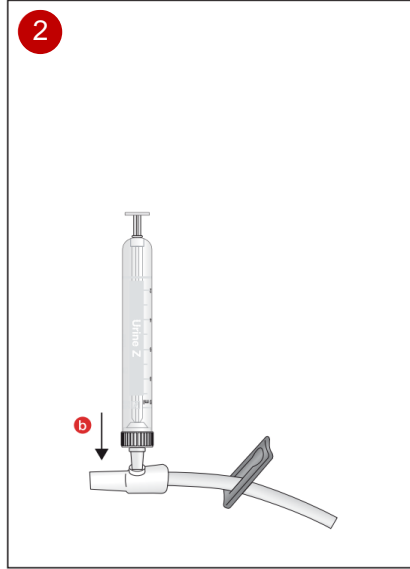
# Urine-Monovette® Z

Instructions for Use: Urine Collection from Urinary Catheter

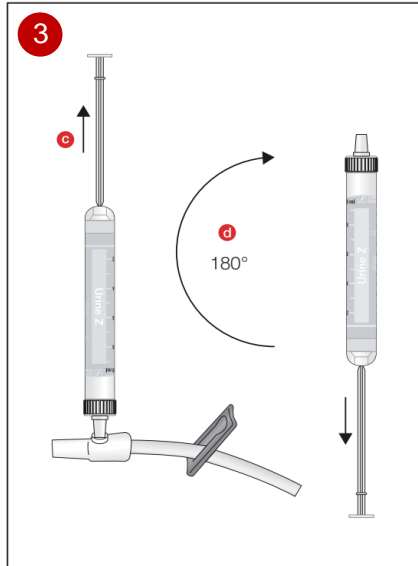


Hold the Urine-Monovette® Z upright with the tip pointing upwards and remove the stopper on the Luer screw cap **a**.

Set it aside for later.

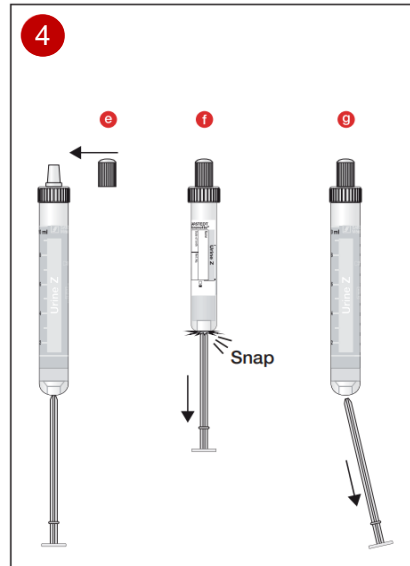


Penetrate the septum of the urine sample collection site and ensure the Urine-Monovette® Z is firmly secured with one hand **b**.



Now withdraw the plunger rod with the other hand back to the stop until the Urine-Monovette® Z is filled with urine **c**.

Remove the Urine-Monovette® Z from the urine sample collection site and hold it upright with the opening pointing upwards **d**.



Close the Urine-Monovette® Z securely with stopper set aside previously **e**.

**Only for the Urine-Monovette® Z 3.2ml:** Pull the plunger rod down until it audibly clicks into the final position **f**.

Break of the plunger rod **g**.

Place the Urine-Monovette® Z in a stand.



**Instructional Video:**  
Urine Collection from  
Urinary Catheter using  
Urine-Monovette® Z